



Job #	
Site Address	

Daylitter Skylights
 5492 - 275th Street
 Langley, BC, V4W 3X7
 Toll Free: 1-800-268-4068

“ACRYLIC” ROOF DOOR DIMENSION SHEET (2014):

Please provide the following information so that we can manufacture your roof door to your specific application. Please fax back the information to 604-856-4560 (toll free fax# 1-877-268-8019) or forward it attached to an email to info@daylitter.com

Name:		Phone#:			
Company:		Cell#:			
Address:		Facsimile:			
City:		Email:			
Timeline:		Project-Name			

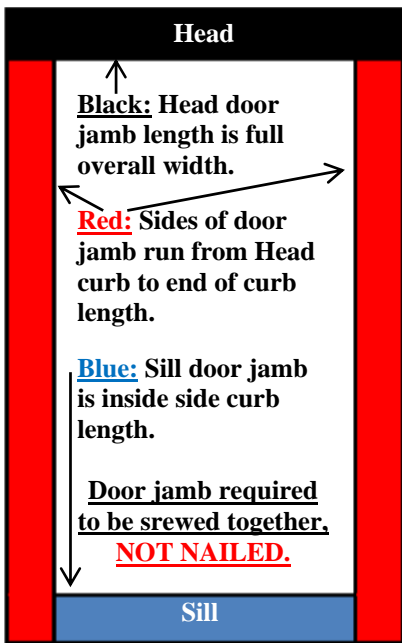
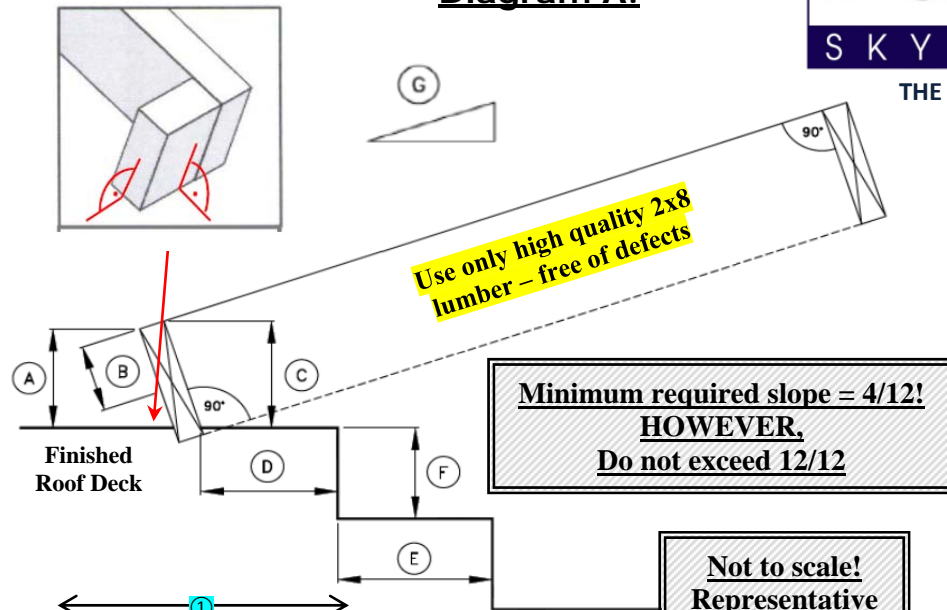
Figure: (Door Jamb Dimensions - plus - Diagram A+B) Please refer to the required details on “Page 2 of 2”		Dimensions here please:			
①	Inside Curb / Inside Door Jamb Rough Opening of Width? (ICRO) (See “ <u>Roof Door Curb & Jamb Preparation Requirements</u> ” from Daylitter)	=	inches		
②	Inside Curb / Inside Door Jamb Rough Opening of Length? (ICRO) (See “ <u>Roof Door Curb & Jamb Preparation Requirements</u> ” from Daylitter)	=	inches		
A)	Distance between <u>finished</u> deck & top of <u>finished</u> door jamb? (min 6”; Sill Detail to match Diagram)	=	inches		
B)	Exterior face requires a minimum clearance of 4” (no obstructions)	=	inches		
C)	Distance between top landing & top of door jamb? (Check local building code for trip hazard height)	=	inches		
D)	Run of landing?	=	inches		
E)	Run of step?	=	inches		
F)	Rise of step?	=	inches		
G)	Pitch of door jamb – 5/12 (22.5*) OR 7/12 (30.5*) OR 9/12 (37*) VARIATIONS NEED TO BE APPROVED BY DAYLITTER	=	degrees		
H)	Min. distance - finished door jamb to a finished Barrier? (Wall, railing, etc. = min 3.5”)	=	inches		
I)	Maximum width of finished door jamb? (max 1 and 7/8” after all “Build-up”)	=	inches		
J)	Color of aluminum exterior cap?	<input type="checkbox"/> Custom	<input type="checkbox"/> Brown	<input type="checkbox"/> Black	
K)	Color of steel counter flashing?	<input type="checkbox"/> Custom	<input type="checkbox"/> Brown	<input type="checkbox"/> Black	
L)	Dome color?		<input type="checkbox"/> Clear	<input type="checkbox"/> Bronze	
M)	Crating or Palletizing required?	<input type="checkbox"/> Crating	<input type="checkbox"/> Palletizing	<input type="checkbox"/> Yes <input type="checkbox"/> No	
N)	Quantity?	=	Roof Door(s)		
O)	Double Trim Board (5/8” thick x 5 1/2” each) required – (Structural material, not flush with drywall)		NOT BY DAYLITER!!! Supplied only if Spectrum installing		
P)	Optional Handle?	<input type="checkbox"/> Yes <input type="checkbox"/> No	<input type="checkbox"/> Custom	<input type="checkbox"/> Brown <input type="checkbox"/> Black	
Date, Signature Owner / Site Super		Date: ____ / ____ / _____	Signature: _____		

Dayliter

SKYLIGHTS

THE BRIGHTER IDEA

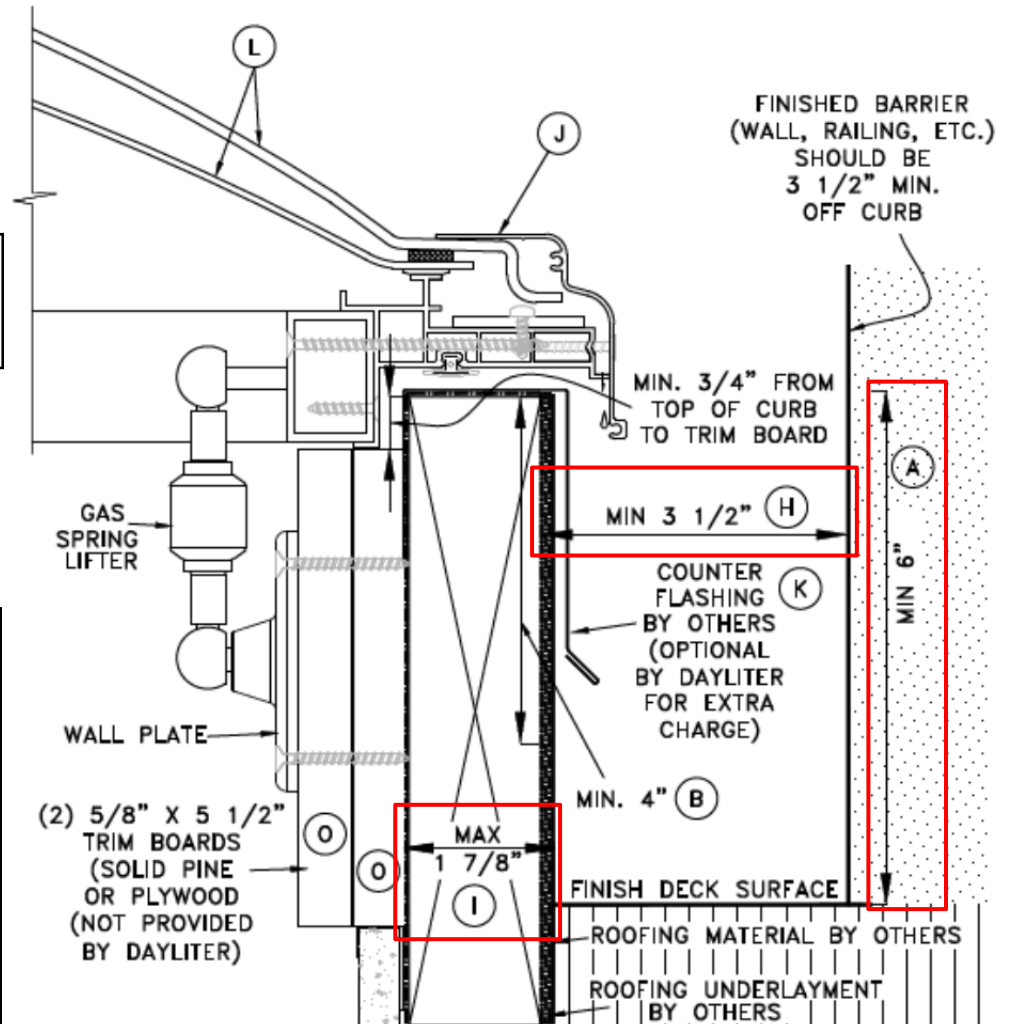
Diagram A:



Inside Curb Rough Opening (ICRO) – Wood to Wood - Top & Base of Door Jamb Height
**** CRITICAL, 2x8 DOOR JAMB TO BE 90° SQUARE & TO SIZE AS PER THE MODEL SIZES BELOW ****

Model:	Width: ①	Length: ②
3676	30.75"	70.5"
4280	36.75"	74.5"
36100	30.75"	94.5"
Tolerances:	+/- 0" for all dimensions!	
FOR SLOPES BETWEEN 4/12 and 12/12		

Diagram B:



- WOOD BLOCKING BY OTHERS; MIN SIZE = 2x8 (1 1/2" x 7 1/2")
- INSIDE DOOR JAMB DIM = WOOD TO WOOD DIM